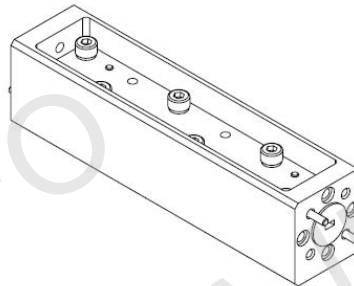
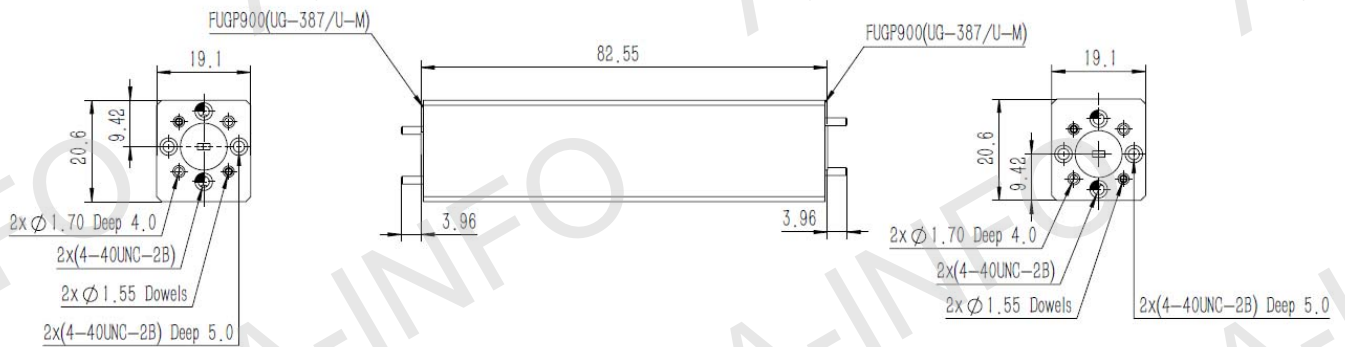


Technical Specification

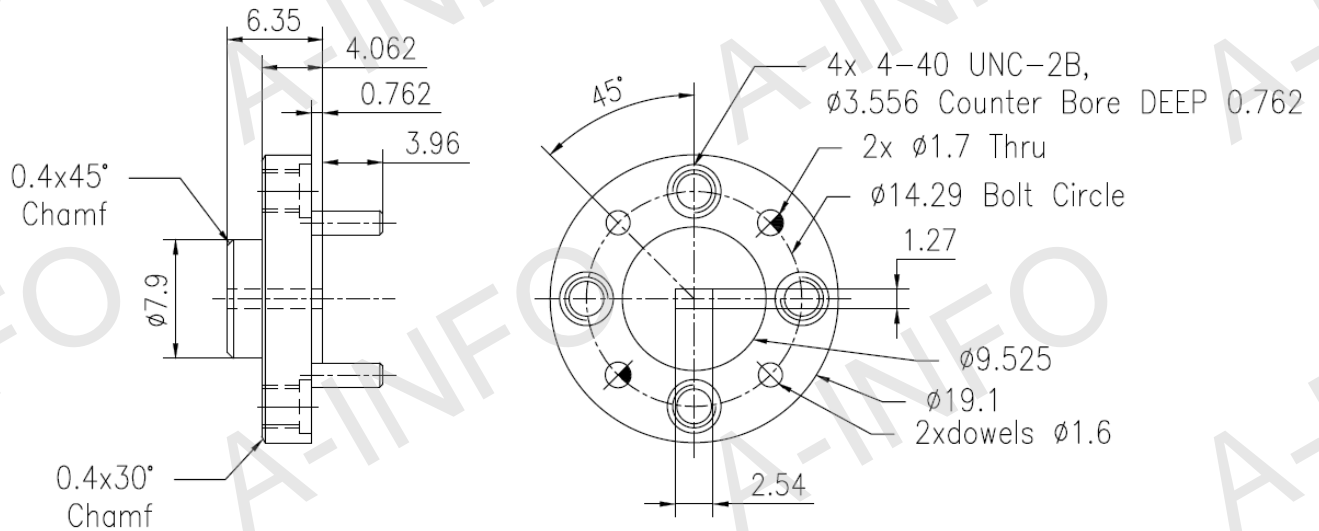


Waveguide	WR10
Frequency Range(GHz)	75.0-110.0
Attenuation(dB)	30
Attenuation Accuracy(dB)	±3 Max.
VSWR	1.25:1 Max.
Average Power(W)	1 CW
Flange	FUGP900(UG-387/U-M)
Material	Cu
Size(mm)	82.55 x 19.1 x 20.6
Net Weight(Kg)	0.14 Around

Outline Drawing (Size: mm)



Flange Drawing (Size: mm)



FUGP900
(equivalent to UG-387/U-M)

Test Results

Trc1 **S11** SWR 250 mU/ Ref 1 U Cal Trc2 **S21** dB Mag 3 dB / Ref -30 dB Cal 1 (Max)
Trc3 **S21** dB Mag 3 dB / Ref -30 dB Cal Trc4 **S22** SWR 250 mU/ Ref 1 U Cal

