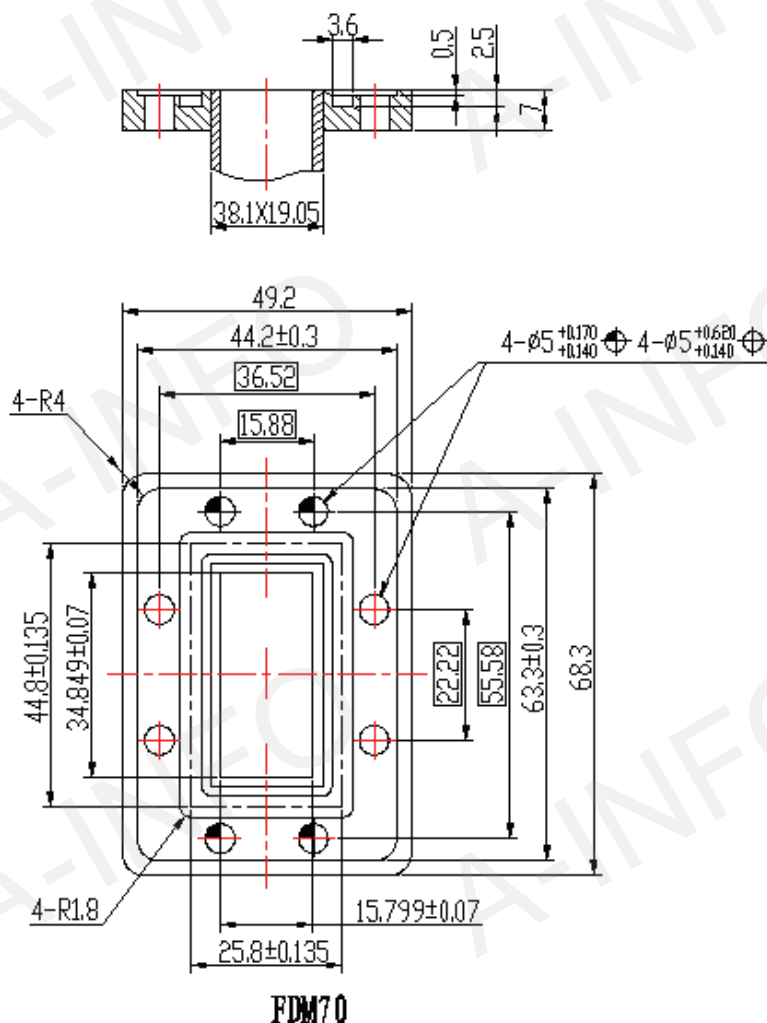


Flange Drawing (Size: mm)



Test Results Table

Item	Technical Specification	Test Results
Frequency(GHz)	5.85-8.20	5.85-8.20
Attenuation(dB)	3±1	2.98-3.11
VSWR	1.25 max	1.14 max
Power(W)	40	40
Waveguide	WR137	WR137
Flange	FDM70	FDM70
Material	Cu	Cu